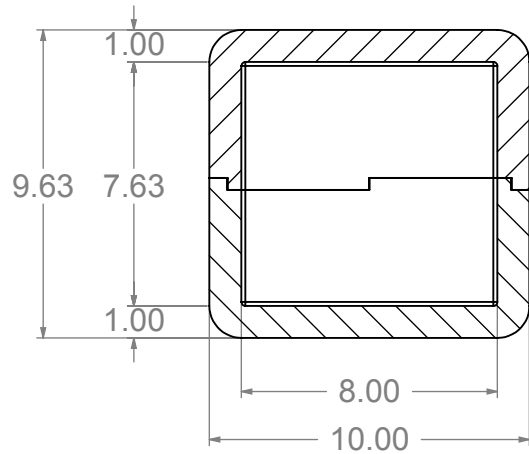
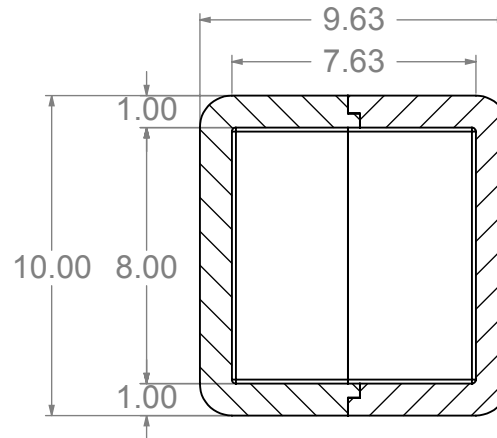
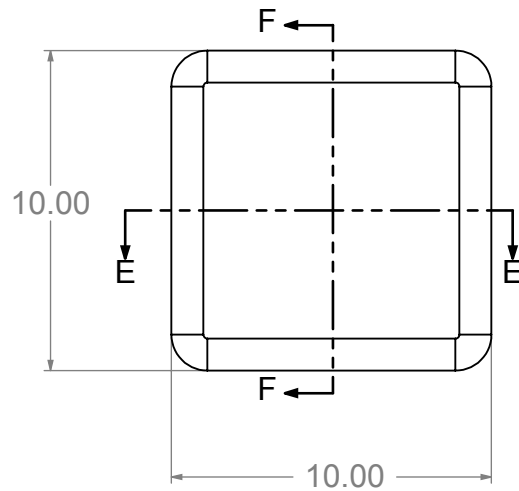
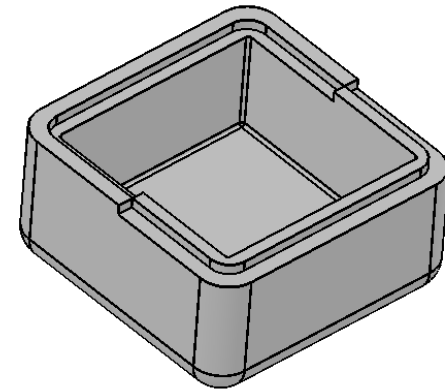


		REVISIONS			
ZONE	REV.	DESCRIPTION	DATE	APPROVED	



SECTION E-E



SECTION F-F

STANDARD EPS TOLERANCES
FOR DENSITY 1.12 TO 3.0 PCF

DIM. INCH(MM)	TOL. INC(MM)
0.0 - 6.0(152)	+/- .039 (1)
6.0(152) - 12.0 (305)	+/- .06 (1.5)
12.0(305) - 24.0(610)	+/- .098 (2.5)
24.0(610) - 48.0(1220)	+/- .12 (3)
48.0(1220) - GREATER	+/- .20 (5)

PROPRIETARY AND CONFIDENTIAL		NAME	DATE	marko foam products inc	
THE INFORMATION CONTAINED IN THIS DRAWING IS THE SOLE PROPERTY OF marko foam production ANY REPRODUCTION IN PART OR AS A WHOLE WITHOUT THE WRITTEN PERMISSION OF marko foam production IS PROHIBITED.		DRAWN			
MATERIAL EPS 1.25 PCF		CHECKED		MB 5-5	
FINISH		ENG APPR. Ilir Bordoniqi	08/09/10		
DO NOT SCALE DRAWING		MFG APPR.		SCALE:1:6	
		Q.A.		WEIGHT:	
		COMMENTS: V₅ - 225		SHEET 1 OF 1	
				SIZE DWG. NO.	REV.
				A	